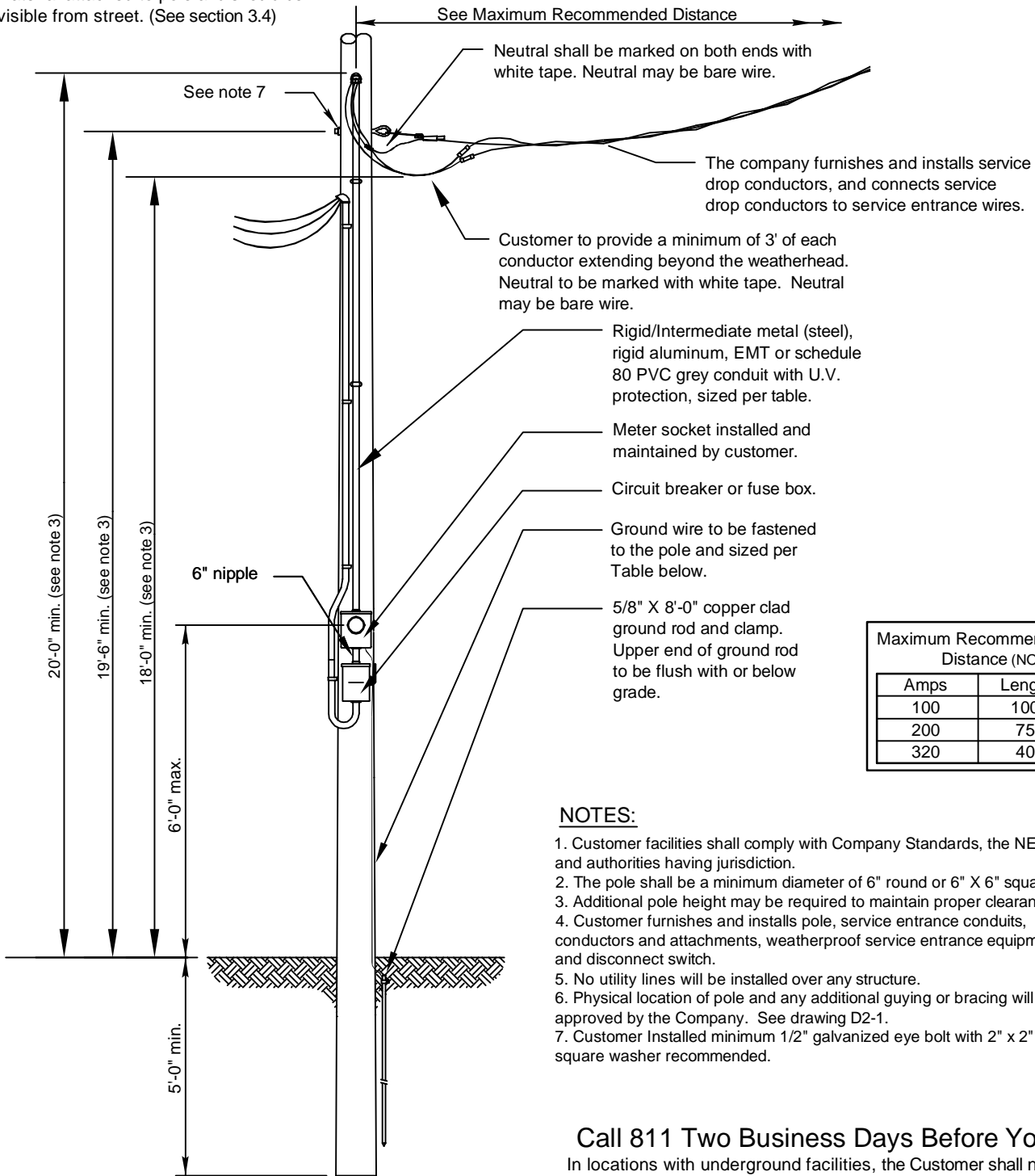


911 address shall be a minimum of 3" lettering marked on meter enclosure, pole, or durable material attached to pole and should be visible from street. (See section 3.4)

Shall meet requirements of drawings D4-4 and D9-2.



Maximum Recommended Distance (NOTE 2)	
Amps	Length
100	100'
200	75'
320	40'

NOTES:


1. Customer facilities shall comply with Company Standards, the NEC, and authorities having jurisdiction.
2. The pole shall be a minimum diameter of 6" round or 6" X 6" square.
3. Additional pole height may be required to maintain proper clearance.
4. Customer furnishes and installs pole, service entrance conduits, conductors and attachments, weatherproof service entrance equipment, and disconnect switch.
5. No utility lines will be installed over any structure.
6. Physical location of pole and any additional guying or bracing will be approved by the Company. See drawing D2-1.
7. Customer Installed minimum 1/2" galvanized eye bolt with 2" x 2" square washer recommended.

Call 811 Two Business Days Before You Dig

In locations with underground facilities, the Customer shall notify One Call and shall have One Call locate all underground facilities before digging. It shall be the responsibility of the Customer to stay clear of all underground facilities.

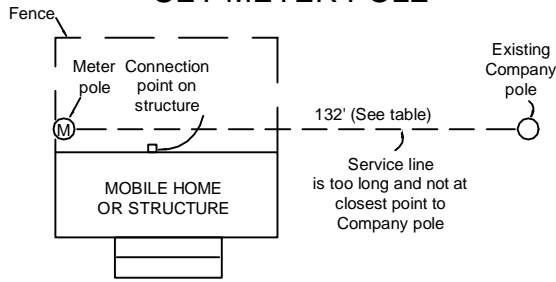
Minimum Customer Wiring Size - Residence Single Phase **				
METER SIZE	CONDUIT SIZE	Current carrying & neutral wire size (per NEC) *		GROUND WIRE SIZE
		ALUMINUM	COPPER	
100 Amp	1.5"	#2	#4	#6 *
200 Amp	2"	4/0	2/0	#4
320 Amp	3"	500	350	#2

* Wire sizes based upon customer breaker size
 ** For 3Ø, consult the Company Commercial & Industrial. Wire sizes are typically larger.

ENTERGY SERVICES, INC.			
TYPICAL INSTALLATION - CENTRAL SERVICE POLE (FARMS & MULTIPLE SERVICE DROPS)			
APPROVED BY:	JRH	DATE:	01/09/2013
CHECKED BY:	JED	SCALE:	NONE
DRAWN BY:	krich95		
		No. D4-7	
NO.	DATE:	REVISION	BY: APPR:
1	01/13	REVISION OF DRAWING SS4.8-1	JED
PLOT 1=1		SH. 1 OF 1	

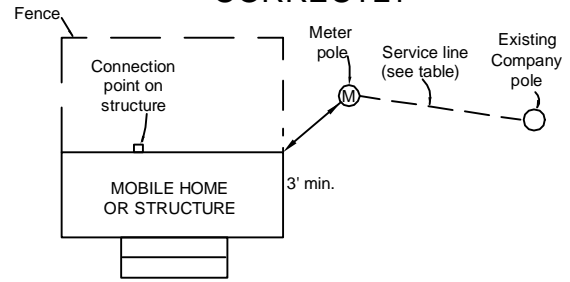
1	01/13	REVISION OF DRAWING SS4.8-1	JED	
NO.	DATE:	REVISION	BY:	APPR:

WRONG POSITION TO SET METER POLE



Meter point shall not be behind the mobile home on inside of fence.

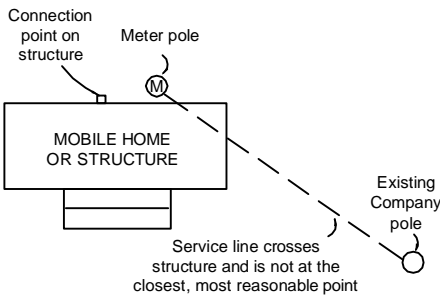
METER POLE SET CORRECTLY



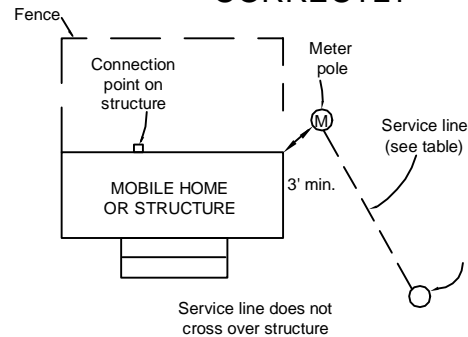
Meter point shall be outside of fence and clear of shrubs.

SERVICE CABLE IS NOT ALLOWED ABOVE OR BELOW A BUILDING.

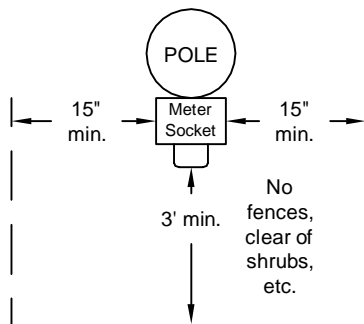
WRONG POSITION TO SET METER POLE



METER POLE SET CORRECTLY



METER CLEARANCES



CAUTION:
 No gas meters within a 3' radius of meter enclosure.
 Meter pole shall be a minimum of 3 ft. from structure.

Maximum Recommended Distance (NOTE 3)

Amps	Length
100	100'
200	75'
320	40'

CALL 811 TWO BUSINESS DAYS BEFORE YOU DIG

In locations with underground facilities, the Customer shall notify One Call and shall have One Call locate all underground facilities before digging. It shall be the responsibility of the Customer to stay clear of all underground facilities.

Notes:

- Customer facilities shall comply with Company Standards, the NEC, and authorities having jurisdiction.
- The customer is responsible for clearing and maintaining all right of way.
- The Company service cable shall not go over the top of the mobile home or if there is not a clear path to the meter pole or the maximum distance is exceeded, an additional pole may be required. Contact Company in advance to learn additional Customer cost. Additional Customer cost is typically \$1500 or more.

ENTERGY SERVICES, INC.

PERMANENT POLE - OVERHEAD SERVICE DETAILS FOR SINGLE MOBILE HOME INSTALLATION OR STRUCTURE

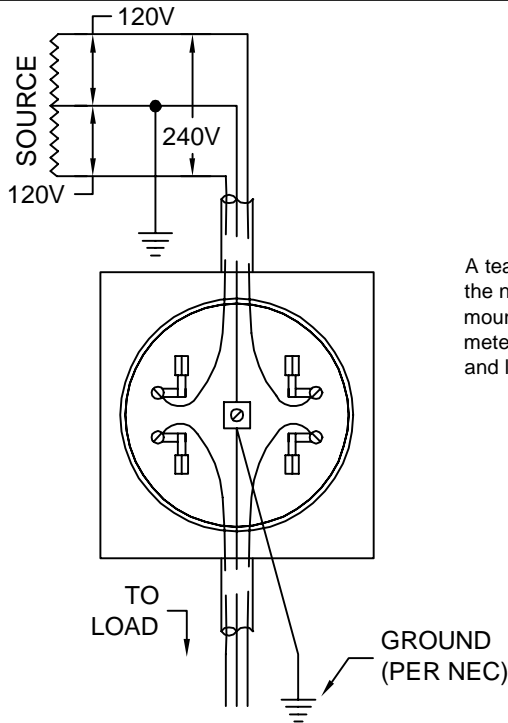
APPROVED BY: JRH DATE: 10/30/2012
 CHECKED BY: JED SCALE: None
 DRAWN BY: krich95



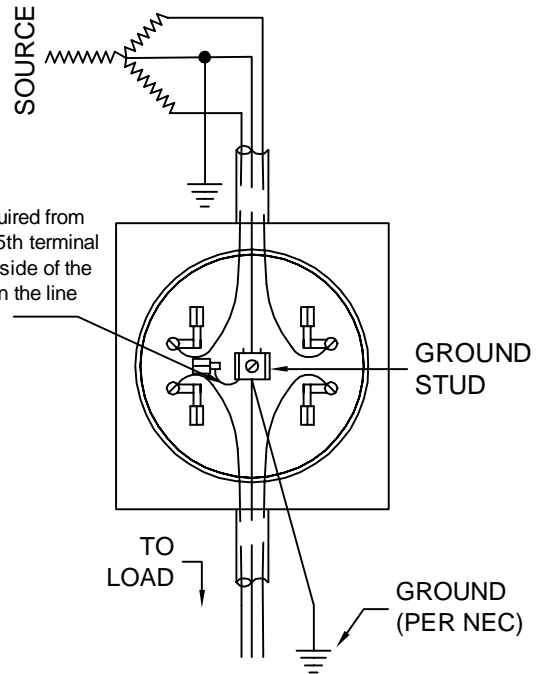
No. D4-4

PLOT 1=1 SH. 1 OF 1

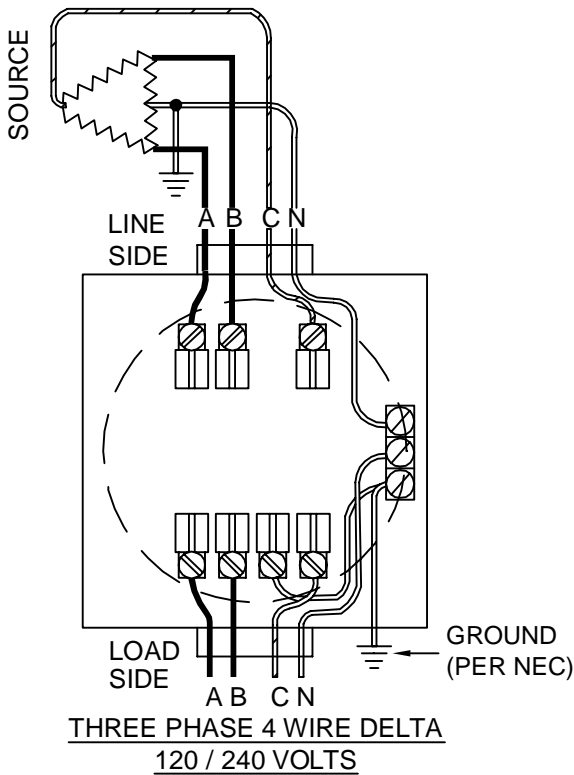
3				
2				
1	10/12	REVISION OF DRAWING SS4.6-2	JED	
NO.	DATE:	REVISION	BY:	APPR:



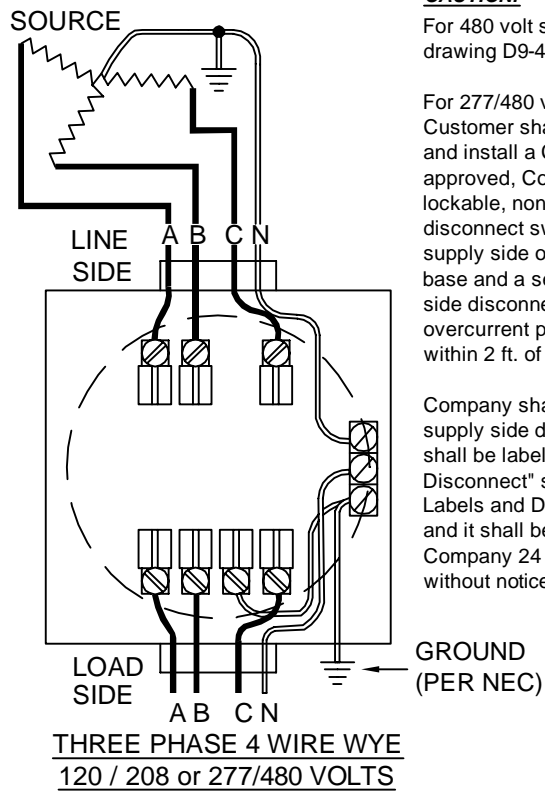
TYPE S
3 WIRE SINGLE PHASE 120/240 VOLTS



TYPE S
3 WIRE SINGLE PHASE 120/208 WYE VOLTS



THREE PHASE 4 WIRE DELTA
120 / 240 VOLTS



THREE PHASE 4 WIRE WYE
120 / 208 or 277/480 VOLTS

CAUTION:

For 480 volt service, see drawing D9-4.

For 277/480 volt service, Customer shall furnish and install a Company approved, Company lockable, non fused disconnect switch on the supply side of the meter base and a separate load side disconnect with overcurrent protection within 2 ft. of the meter.

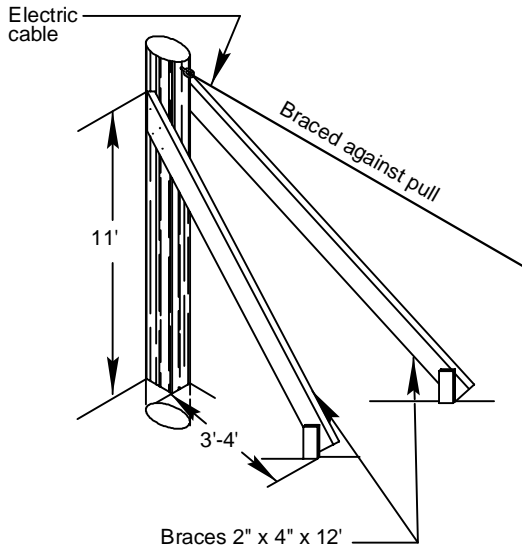
Company shall control the supply side disconnect. It shall be labeled "Utility Disconnect" see §1.5 Labels and Disconnects and it shall be available to Company 24 hours a day without notice.

NOTES:

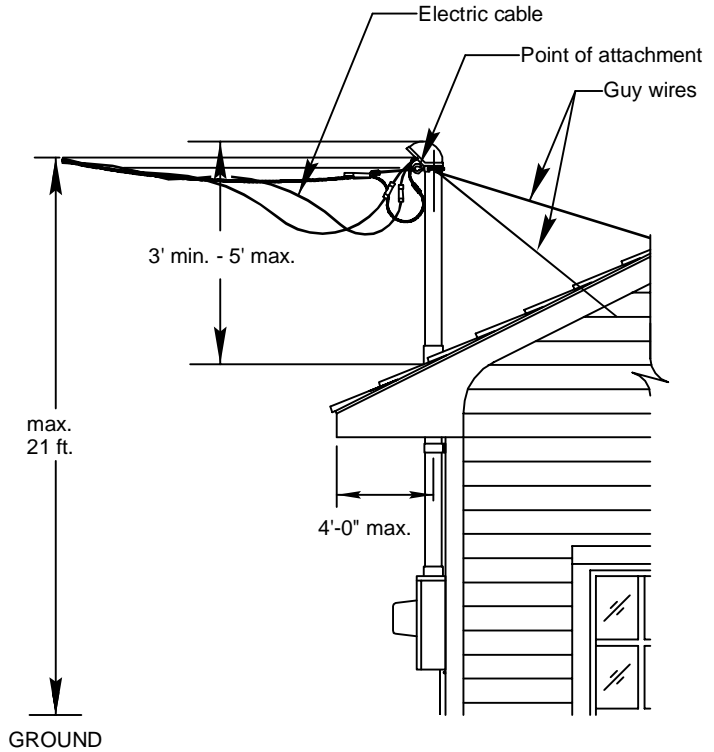
1. Ungrounded Conductor with the Higher Voltage to Ground (Phase marked C) must be marked orange.
2. All sockets, except residential single phase less than 320 Amps, shall have a manual mechanical gang operated bypass switch.
3. Load and supply wires shall not cross in the meter socket.

ENTERGY SERVICES, INC.			
WIRING DIAGRAM CONNECTIONS			
FOR OVERHEAD			
SELF CONTAINED METERS			
APPROVED BY:	JRH	DATE:	01/14/2013
CHECKED BY:	JED	SCALE:	NONE
DRAWN BY:	krich95		
		No. D9-2	
PLOT	1=1	SH.	1 OF 2

1	01/13	REVISION OF DRAWING SS11.8-1	JED	
NO.	DATE:	REVISION	BY:	APPR:



POLE



MAST ABOVE ROOF

NOTES:

1. Bracing is required if a pole or riser is unstable, bends, or moves when shaken or a ladder is put against it or bends when wires are attached.
2. Consult the Company for specific requirements.

CALL 811 TWO BUSINESS DAYS BEFORE YOU DIG

In locations with underground facilities, the Customer shall notify One Call and shall have One Call locate all underground facilities before digging. It shall be the responsibility of the Customer to stay clear of all underground facilities.

ENTERGY SERVICES, INC.

BRACING

APPROVED BY: JRH DATE: 02/26/2013

CHECKED BY: JED SCALE: None

DRAWN BY: krich95

No. D2-1



PLOT 1=1 SH. 1 OF 1

5				
4				
3				
2				
1	02/13	THIS DRAWING ADDED-NEW	JED	
NO.	DATE:	REVISION	BY:	APPR: